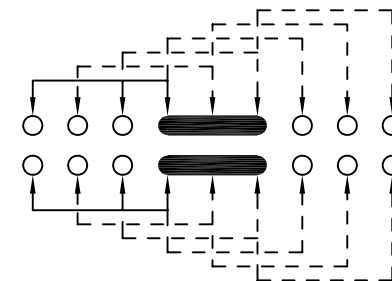
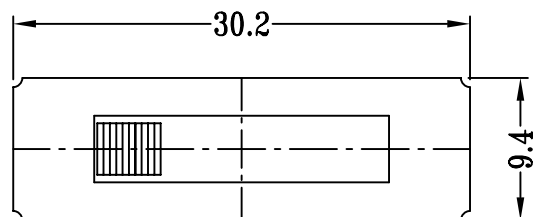
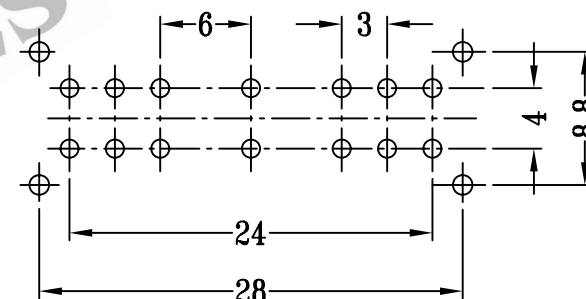
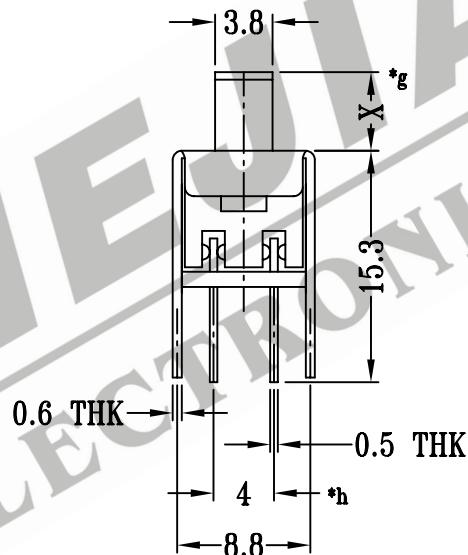
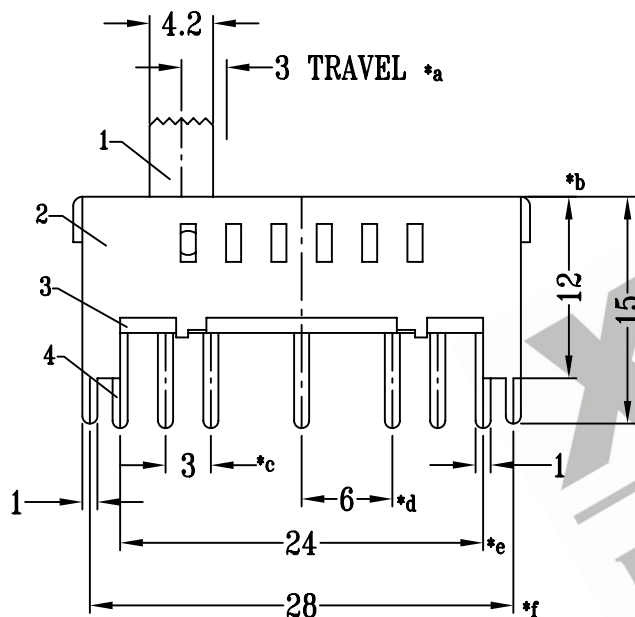


CAD FILE:



SCHEMATIC (SHORTING)



P.C.B LAYOUT

注:带"*"表示关键尺寸(8个)

NO.	PARTS	MATERIALS	Q'TY	FINISH	TOLERANCE UNLESS SPECIFIED	SHENZHEN XIEJIA ELECTRONICS CO.,LTD.				
8						TITLE : VERTICAL SLIDE SWITCH				
7	CONTACT (CLIP)	PBS	2	Ag CLAD						UNIT : mm
6	SPRING	STEEL WIRE	1	TEMPER	WITHIN: 1.5±0.1mm OVER : 1.5±0.2mm	ISSUE	DATE	DESCRIPTIONS OF REVISION		APPD.
5	STEEL BALL	STEEL	2	NATURAL		SCALE: 2:1		DWN.	ZHOUYU	2002-12-3
4	TERMINAL	BRASS STRIP	14	Ag PLATED OVER Ni PLATED				CHK'D	FANGYING	2002-12-3
3	TERMINAL BASE	PHENOLIC RESIN	1	BLACK				APPD.	KANGXINAN	2002-12-3
2	FRAME	STEEL STRIP	1	Ni PLATED				ALL MATERIALS MUST BE COMPLIANT TO ROHS		
1	KNOB	POM	1	BLACK						